

Project Name:		Approval:	
Location:		Date:	
Engineer:		Construction:	
Submitted to:		Unit #:	
Submitted by:		Drawing #:	
Reference:			

Indoor model	ACT-09UR3SCA*2
Outdoor model	AMW2-18U3SFA



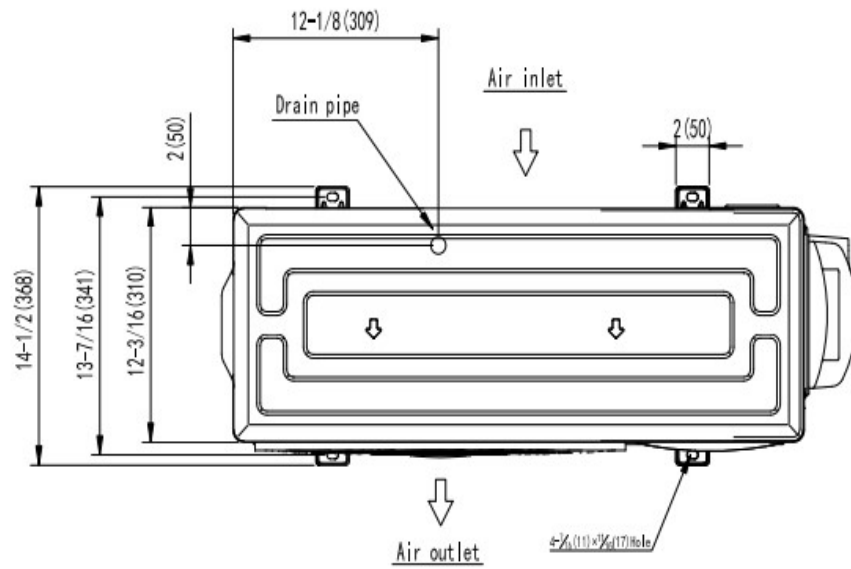
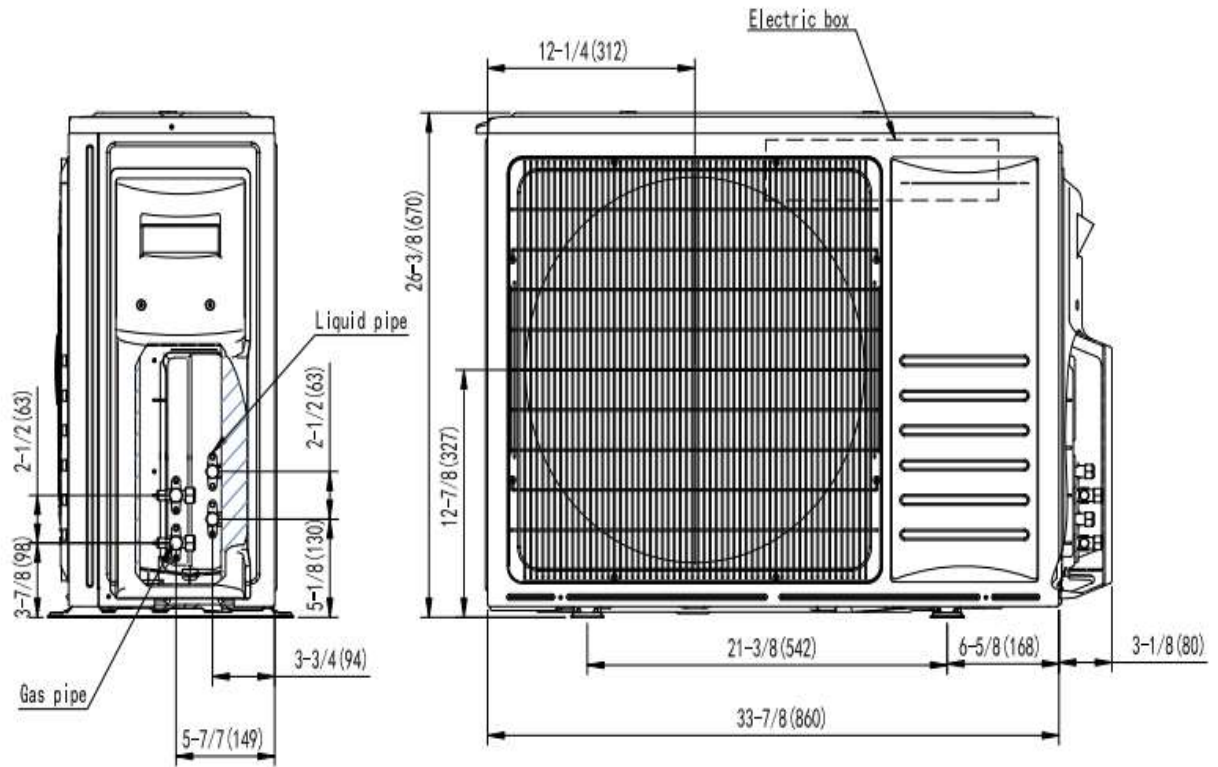
### PERFORMANCE DATA

Power supply	Ph-V-Hz	208-230V~60Hz, 1Ph
<b>Cooling</b>		
Capacity	Btu/h	18000
Input	W	1500
Rated current	A	7
EER2	Btu/h/w	12
SEER2	Btu/h/w	19
<b>Heating</b>		
Capacity	Btu/h	20000
Input	W	1538
Rated current	A	7
COP2	W/W	3.81
HSPF2	Btu/h/w	9.45
COP at 5°F (At Max. Capacity)	Btu/h/w	1.84
<b>Electrical</b>		
MINIMUM CIRCUIT AMPACITY	A	21.0
MAX. FUSE	A	30.0
Connection wiring		4 x 1.5mm2
<b>Compressor</b>		
Model		EATF200D22UMT
Type		ROTARY
Brand		GMCC
Capacity	Btu/h	20523.18
Input	W	1690
Rated current(RLA)	A	15
Locked rotor Amp(LRA)	A	---
Thermal protector		---
Thermal protector position		---
Refrigerant oil/oil charge	ml	VG74 (POE) 670ml
<b>Operation temperature</b>		
Indoor(cooling/ heating)	Deg. F	62~90/32~86
Outdoor(cooling/heating)	Deg. F	14~115/ -13~75.2
Application area	sq.ft	260-380

### OUTDOOR UNIT DATA

<b>Outdoor fan motor</b>		
Model		SIC-61FW-F161-1
Type		DC
Input		73
RLA	A	0.3
Speed	r/min	850 / 540 / 200
<b>Air flow &amp; Noise level</b>		
Outdoor air flow	CFM	1850
Outdoor noise level	dB(A)	55
<b>Outdoor unit</b>		
Dimension(W*H*D)	inch	33-7/8x26-3/8x12-1/4
Packing (W*D*H)	inch	39x17-3/4x28-3/4
Net/Gross weight	lbs.	116.8/125.6
<b>SYSTEM DATA</b>		
Design pressure	PSIG	550/240
Refrigerant type	oz	R410A/63.49
Refrigerant precharge	ft	49
Additional charge per ft.	oz	0.161oz/ft over 15m
Liquid side/ Gas side	mm(inch)	2 X Φ6.35/Φ9.52(1/4"/3/8")
Max. length for all rooms	ft	164
Max. length for one indoor unit	ft	82
Max. height difference between indoor and outdoor unit	ft	49
Max. height difference between indoor units	ft	33

**OUTDOOR UNIT**



Project Name:		Approval:	
Location:		Date:	
Engineer:		Construction:	
Submitted to:		Unit #:	
Submitted by:		Drawing #:	
Reference:			

Indoor model	ADT-09UX3SBL*2
Outdoor model	AMW2-18U3SFA



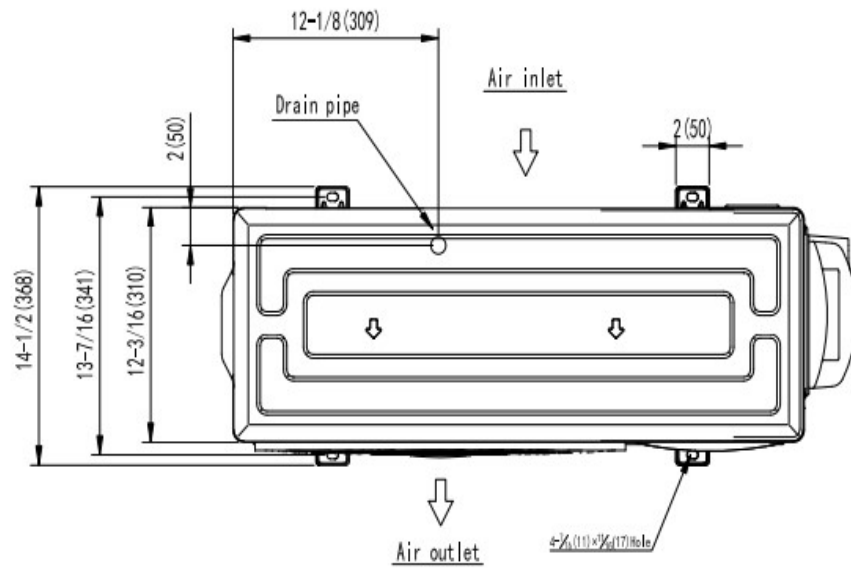
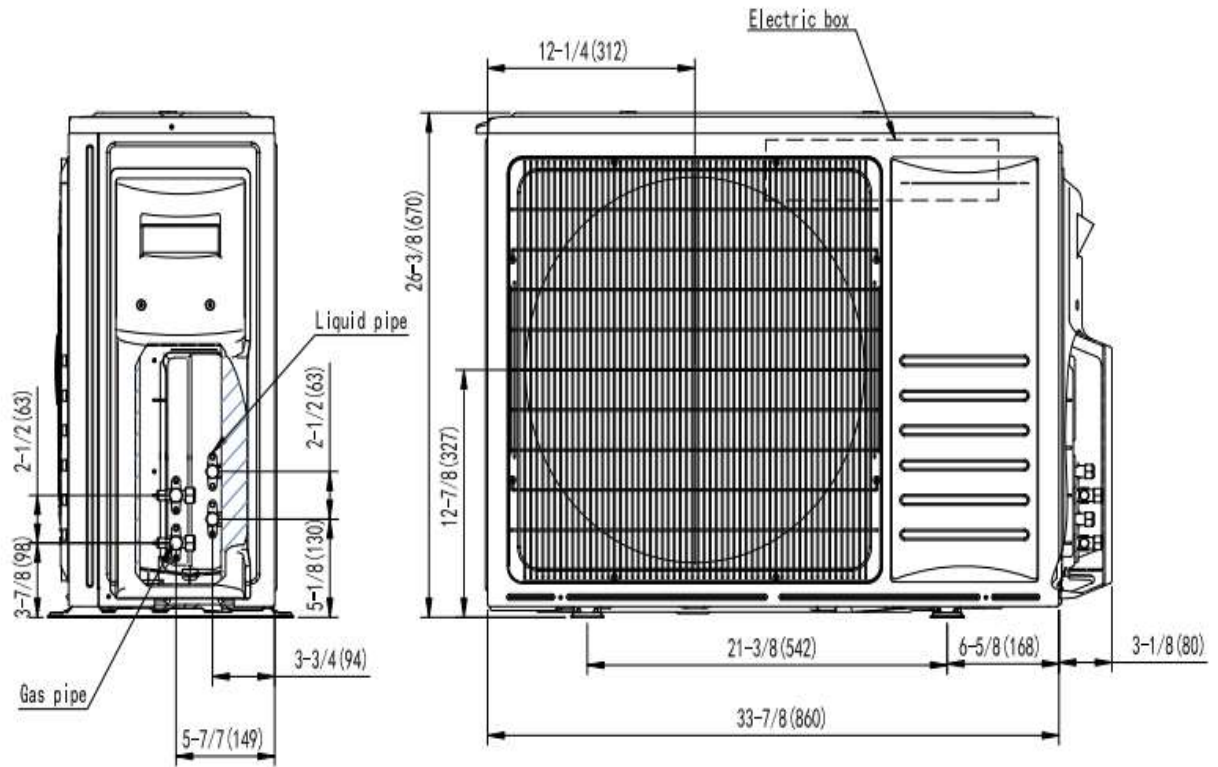
### PERFORMANCE DATA

Power supply	Ph-V-Hz	208-230V~60Hz, 1Ph
<b>Cooling</b>		
Capacity	Btu/h	18000
Input	W	1565
Rated current	A	7.1
EER2	Btu/h/w	11.5
SEER2	Btu/h/w	19
<b>Heating</b>		
Capacity	Btu/h	20200
Input	W	1552
Rated current	A	7.0
COP2	W/W	3.81
HSPF2	Btu/h/w	9.4
COP at 5°F (At Max. Capacity)	Btu/h/w	1.84
<b>Electrical</b>		
MINIMUM CIRCUIT AMPACITY	A	21.0
MAX. FUSE	A	30.0
Connection wiring		4 x 1.5mm2
<b>Compressor</b>		
Model		EATF200D22UMT
Type		ROTARY
Brand		GMCC
Capacity	Btu/h	20523.18
Input	W	1690
Rated current(RLA)	A	15
Locked rotor Amp(LRA)	A	---
Thermal protector		---
Thermal protector position		---
Refrigerant oil/oil charge	ml	VG74 (POE) 670ml
<b>Operation temperature</b>		
Indoor(cooling/ heating)	Deg. F	62~90/32~86
Outdoor(cooling/heating)	Deg. F	14~115/ -13~75.2
Application area	sq.ft	260-380

### OUTDOOR UNIT DATA

<b>Outdoor fan motor</b>		
Model		SIC-61FW-F161-1
Type		DC
Input		73
RLA	A	0.3
Speed	r/min	850 / 540 / 200
<b>Air flow &amp; Noise level</b>		
Outdoor air flow	CFM	1850
Outdoor noise level	dB(A)	55
<b>Outdoor unit</b>		
Dimension(W*H*D)	inch	33-7/8x26-3/8x12-1/4
Packing (W*D*H)	inch	39x17-3/4x28-3/4
Net/Gross weight	lbs.	116.8/125.6
<b>SYSTEM DATA</b>		
Design pressure	PSIG	550/240
Refrigerant type	oz	R410A/63.49
Refrigerant precharge	ft	49
Additional charge per ft.	oz	0.161oz/ft over 15m
Liquid side/ Gas side	mm(inch)	2 X Φ6.35/Φ9.52(1/4"/3/8")
Max. length for all rooms	ft	164
Max. length for one indoor unit	ft	82
Max. height difference between indoor and outdoor unit	ft	49
Max. height difference between indoor units	ft	33

**OUTDOOR UNIT**



Project Name:		Approval:	
Location:		Date:	
Engineer:		Construction:	
Submitted to:		Unit #:	
Submitted by:		Drawing #:	
Reference:			

Indoor model	AST-09UW3SVE**01*2
Outdoor model	AMW2-18U3SFA



### PERFORMANCE DATA

Power supply	Ph-V-Hz	208-230V~60Hz , 1Ph
<b>Cooling</b>		
Capacity	Btu/h	18000
Input	W	1440
Rated current	A	6.5
EER2	Btu/h/w	12.5
SEER2	Btu/h/w	21
<b>Heating</b>		
Capacity	Btu/h	18000
Input	W	1530
Rated current	A	6.9
COP2	W/W	3.55
HSPF2	Btu/h/w	9.5
COP at 5°F (At Max. Capacity)	Btu/h/w	1.84
<b>Electrical</b>		
MINIMUM CIRCUIT AMPACITY	A	21.0
MAX. FUSE	A	30.0
Connection wiring		4 x 1.5mm2
<b>Compressor</b>		
Model		EATF200D22UMT
Type		ROTARY
Brand		GMCC
Capacity	Btu/h	20523.18
Input	W	1690
Rated current(RLA)	A	15
Locked rotor Amp(LRA)	A	---
Thermal protector		---
Thermal protector position		---
Refrigerant oil/oil charge	ml	VG74 (POE) 670ml
<b>Operation temperature</b>		
Indoor(cooling/ heating)	Deg. F	62~90/32~86
Outdoor(cooling/heating)	Deg. F	14~115/ -13~75.2
Application area	sq.ft	260-380

### OUTDOOR UNIT DATA

<b>Outdoor fan motor</b>		
Model		SIC-61FW-F161-1
Type		DC
Input		73
RLA	A	0.3
Speed	r/min	850 / 540 / 200
<b>Air flow &amp; Noise level</b>		
Outdoor air flow	CFM	1850
Outdoor noise level	dB(A)	55
<b>Dims and Weight</b>		
Dimension(W*H*D)	inch	33-7/8x26-3/8x12-1/4
Packing (W*D*H)	inch	39x17-3/4x28-3/4
Net/Gross weight	lbs.	116.8/125.6
<b>SYSTEM DATA</b>		
Design pressure	PSIG	550/240
Refrigerant type	oz	R410A/63.49
Refrigerant precharge	ft	49
Additional charge per ft.	oz	0.161oz/ft over 15m
Liquid side/ Gas side	mm(inch)	2 X Ø6.35/Ø9.52(1/4"/3/8")
Max. length for all rooms	ft	164
Max. length for one indoor unit	ft	82
Max. height difference between indoor and outdoor unit	ft	49
Max. height difference between indoor units	ft	33

**OUTDOOR UNIT**

