

Hisense Hi-PRO 9k



Submission Data: AS-09UW3SXETG00 AS-09UW3SXETG00G
Smart 9,000 BTU/H, Wall-Mounted Xtreme Heat Pump System

Job Name:	Location:		
Purchaser:	Submitted by:		
Submitted to:	Reference:	Approval:	Construction:
Engineer:	Date:	Application:	

- 1\ENERGY STAR certified + Xtreme Heat, up to 78% Heating at 5°F
- 2\WiFi built-in, Available ConnectLife APP for both iOS and Android to control your room temp. with smartphone
- 3\Anti corrosion heat exchanger for Hessele-WiFi built-in, Available operation
- 4\Heating below -20°C (-4°F)
- 5\Chassis Electric heater
- 6\ Easy installation
- 7\ "I feel" in remote controller
- 8\ 2 -Way Drain Connection (Left or Right) + 4 -Way air flow
- 9\Washable High Definition Filter
- 10\ Auto Restart
- 11\Indoor Self-Cleaning w/ FrostClean Technology
- 12\Optional Wired Controller



Images provided for reference purposes only

Performance:

Cooling	Cooling Capacity	Btu/h	9,000
	Cooling Capacity Range	Btu/h	3600-10000
	Rated Input-Cooling	W	580
Heating at 47°F	Heating Capacity	Btu/h	10,000
	Heating Capacity Range	Btu/h	3600-10500
	Rated Input-Heating	W	820
Heating at -8.3 °C (17°F AHRI)	Heating Capacity	Btu/h	6,500
Heating at -15 °C (5 °F)	Heating Capacity	Btu/h	7,000
Heating at -20 °C (-5 °F)	Heating Capacity	Btu/h	5,300
Heating at -25 °C (-13 °F)	Heating Capacity	Btu/h	4,500
Heating at -30 °C (-22 °F)	Heating Capacity	Btu/h	NA

Efficiency:

SEER	28.00
SEER2	27.50
HSPF	12.50
HSPF2	10.50
EER -BTU/W	15.50
COP -BTU/W	12.18

Outdoor Operating Temperature Range:

Working Temperature Range - Cooling	(°C/°F)	-15°C-46°C; (5°F-115°F)
Working Temperature Range - Heating	(°C/°F)	-25°C-24°C; (-13°F-75°F)

Electrical:

Power Supply	230V~,208V~,60Hz,1P	
Rated Current	Cooling (A)	2.3
	Heating (A)	3.4
Current Range	Cooling (A)	0.8-6.5
	Heating (A)	0.8-6.5
Max Fuse Size/Fusible Max.	A	15
Min.Circuit Ampacity	A	10



Submittal Data: AS-09UW3SXETG00 AS-09UW3SXETG00G
Smart 9,000 BTU/H, Wall-Mounted Xtreme Heat Pump System

Indoor Unit Specifications:

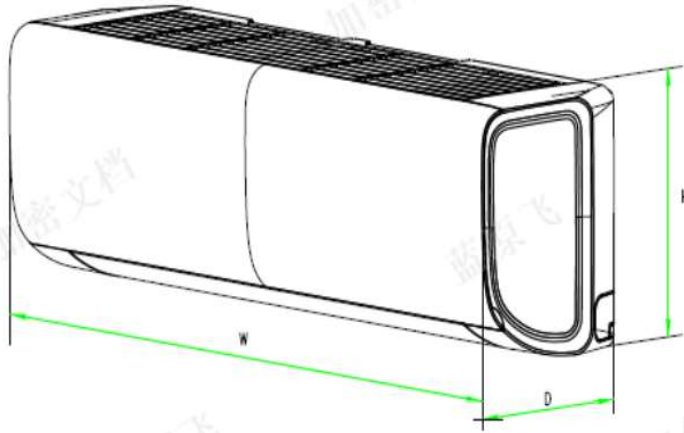
Fan Motor Output	W	25
Fan Motor Speed (H/M/L)	RPM	1150/990/800
Moisture Removal	L/H.r	0.9
Air Circulation (Ultra\High\Medium\Low)	m3/h	670/620/530/430
Sound Pressure(Higer/H/M/L/silence)	dB (A)	42/39/34/31
Net Dimensions WxHxD	mm	950*270*210
	in.	37 7/16x10 5/8 x8 1/4
Net Weight	kg	9.0
	lbs.	19.8

Outdoor Unit Specifications:

Fan Motor Output	W	30
Fan Motor Speed (H/M/L)	RPM	800/650/450
Sound pressure	dB (A)	55
Refrigerant charge volume	g	R410A/1100
Net Dimensions WxHxD	mm	810x585x280
	in.	31 7/8x23x11
Net Weight	kg	34
	lbs.	75.0
Liquid Pipe	in.	1/4
Gas Pipe	in.	3/8
Maximum Piping Length	m.	20
Maximum Height Difference	m.	10

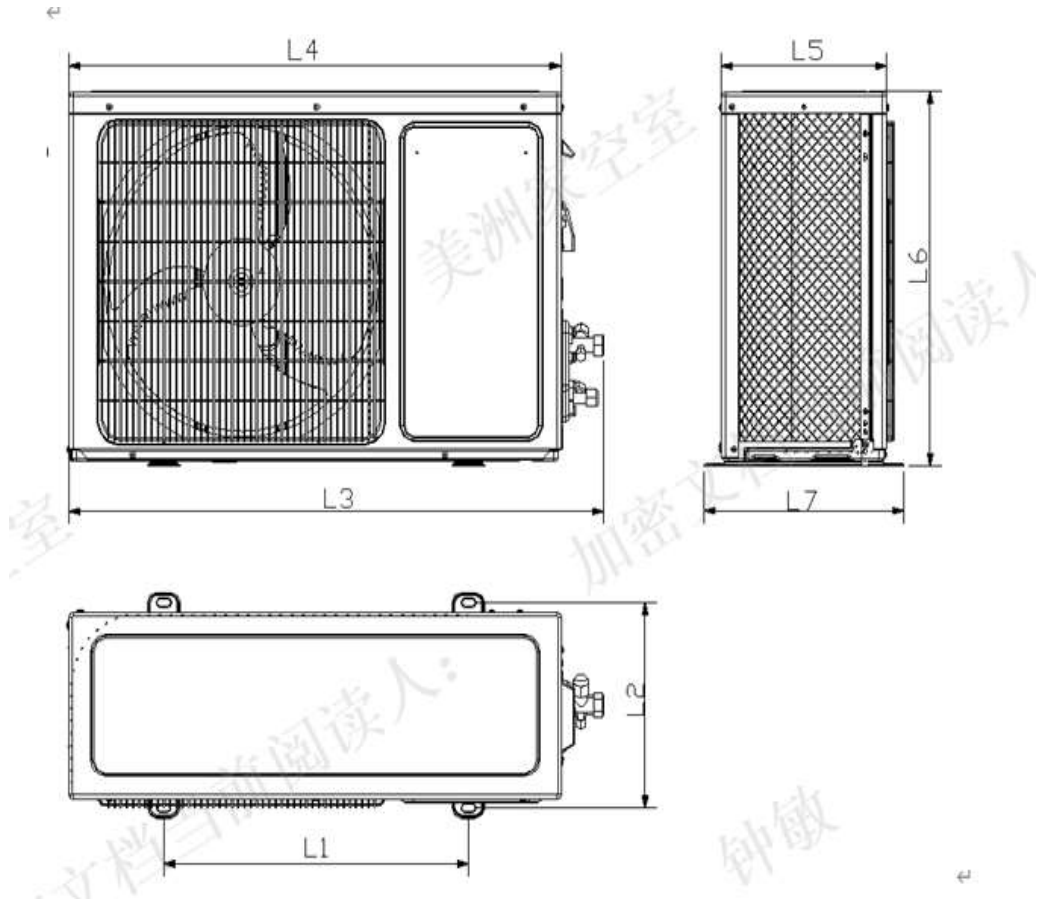
Model No.	Description: (Optional Controls)
RCH-RTY5-0	Remote Controller
YXE-C01U1	Wired Controller (Optional)

Indoor Unit Outline and Dimensions:



	W	H	D
mm	950	270	210
in	37.4	10.6	8.3

Outdoor Unit Outline and Dimensions:



	L1	L2	L3	L4	L5	L6	L7
mm	510	310	873	810	280	585	338
in	20.08	12.20	34.37	31.89	11.02	23.03	13.31