

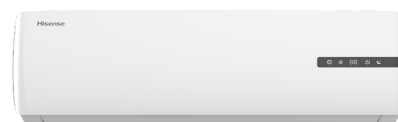
# Hisense Hi-ULTRA 12K 230V



Submittal Data: AST-12UW3SXEDH01 AST-12UW3SXEDH01G  
12,000 BTU/H, Wall-Mounted Heat Pump System

Job Name:	Location:		
Purchaser:	Submitted by:		
Submitted to:	Reference:	Approval:	Construction:
Engineer:	Date:	Application:	

- 1\ENERGY STAR certified
- 2\WiFi built-in, Available ConnectLife APP for both iOS and Android to control your room temp. with smartphone
- 3\Anti corrosion heat exchanger for Hesse-WiFi built-in, Available operation
- 4\Universal indoor units with Hi-Multi
- 5\Heating below -20°C (-4°F)
- 6\Chassis Electric heater
- 7\ Easy installation
- 8\ "I feel" in remote controller
- 9\ 2 -Way Drain Connection (Left or Right)
- 10\Washable High Definition Filter
- 11\ Auto Restart
- 12\Indoor Self-Cleaning w/ FrostClean Technology
- 13\Optional Wired Controller



Images provided for reference purposes only

## Performance:

Cooling	Cooling Capacity	Btu/h	12,000
	Cooling Capacity Range	Btu/h	4000-13500
	Rated Input-Cooling	W	920
Heating at 47°F	Heating Capacity	Btu/h	12,000
	Heating Capacity Range	Btu/h	4000-14000
	Rated Input-Heating	W	1,120
Heating at -8.3 °C (17°F AHRI)	Heating Capacity	Btu/h	7,500
Heating at -15 °C (5 °F)	Heating Capacity	Btu/h	8,400
Heating at -20 °C (-5 °F)	Heating Capacity	Btu/h	8,000
Heating at -25 °C (-13 °F)	Heating Capacity	Btu/h	NA
Heating at -30 °C (-22 °F)	Heating Capacity	Btu/h	NA

## Efficiency:

SEER	22.00
SEER2	21.00
HSPF	10.50
HSPF2	9.50
EER -BTU/W	13.00
COP -BTU/W	11.26

## Outdoor Operating Temperature Range:

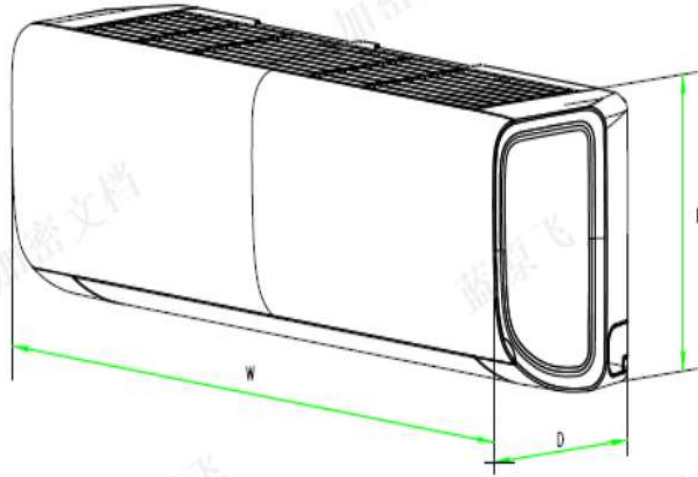
Working Temperature Range - Cooling	(°C/°F)	-15°C-46°C; (5°F-115°F)
Working Temperature Range - Heating	(°C/°F)	-20°C-24°C; (-4°F-75°F)

## Electrical:

Power Supply	230V~,208V~,60Hz,1P	
Rated Current	Cooling (A)	4.3
	Heating (A)	5
Current Range	Cooling (A)	1.2-7.0
	Heating (A)	1.2-7.0
Max Fuse Size/Fusable Max.	A	15
Min.Circuit Ampacity	A	10

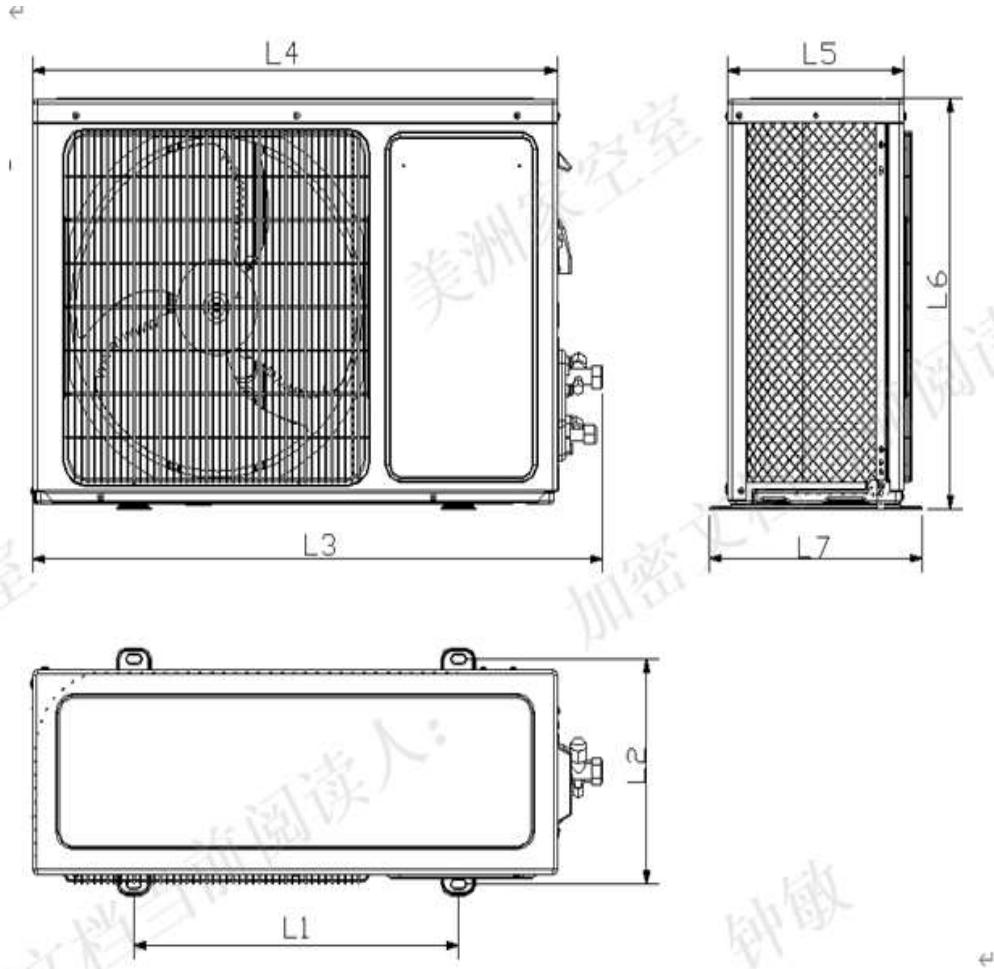
<b>Indoor Unit Specifications:</b>		
Fan Motor Output	W	25
Fan Motor Speed (H/M/L)	RPM	1150/990/800
Moisture Removal	L/H.r	1.2
Air Circulation (Ultra\High\Medium\Low)	m3/h	670/620/530/430
Sound Pressure(Higer/H/M/L/silence)	dB (A)	42/39/32/29/26
Net Dimensions WxHxD	mm	815x280x220
	in.	32 1/16x11x8 11/16
Net Weight	kg	9.0
	lbs.	19.8
<b>Outdoor Unit Specifications:</b>		
Fan Motor Output	W	30
Fan Motor Speed (H/M/L)	RPM	800/650/450
Sound pressure	dB (A)	53
Refrigerant charge volume	g	R410A/1160
Net Dimensions WxHxD	mm	810x585x280
	in.	31 7/8x23x11
Net Weight	kg	33
	lbs.	72.8
Liquid Pipe	in.	1/4
Gas Pipe	in.	3/8
Maximum Piping Length	m.	20
Maximum Height Difference	m.	10
<b>Model No.</b>	<b>Description:</b>	
RCH-RTY5-0	Remote Controller	
YXE-C01U1	Wired Controller (Optional)	

Indoor Unit Outline and Dimensions:



	W	H	D
mm	815	280	220
in	32.1	11.0	8.7

Outdoor Unit Outline and Dimensions:



	L1	L2	L3	L4	L5	L6	L7
mm	510	310	873	810	280	585	338
in	20.08	12.20	34.37	31.89	11.02	23.03	13.31