

# Hisense Hi-ULTRA 18K 230V



Submittal Data: AST-18UW3SBBDH00 AST-18UW3SBBDH00G  
18,000 BTU/H, Wall-Mounted Heat Pump System

Job Name:	Location:		
Purchaser:	Submitted by:		
Submitted to:	Reference:	Approval:	Construction:
Engineer:	Date:	Application:	

- 1\ENERGY STAR certified
- 2\WiFi built-in, Available ConnectLife APP for both iOS and Android to control your room temp. with smartphone
- 3\Anti corrosion heat exchanger for Hesse-WiFi built-in, Available operation
- 4\Universal indoor units with Hi-Multi
- 5\Heating below -20°C (-4°F)
- 6\Chassis Electric heater
- 7\ Easy installation
- 8\ "I feel" in remote controller
- 9\ 2 -Way Drain Connection (Left or Right)
- 10\Washable High Definition Filter
- 11\ Auto Restart
- 12\Indoor Self-Cleaning w/ FrostClean Technology
- 13\Optional Wired Controller



Images provided for reference purposes only

## Performance:

Cooling	Cooling Capacity	Btu/h	18,000
	Cooling Capacity Range	Btu/h	6500-19500
	Rated Input-Cooling	W	1,385
Heating at 47°F	Heating Capacity	Btu/h	17,000
	Heating Capacity Range	Btu/h	6500-20000
	Rated Input-Heating	W	1,582
Heating at -8.3 °C (17°F AHRI)	Heating Capacity	Btu/h	11,600
Heating at -15 °C (5 °F)	Heating Capacity	Btu/h	11,900
Heating at -20 °C (-5 °F)	Heating Capacity	Btu/h	11,000
Heating at -25 °C (-13 °F)	Heating Capacity	Btu/h	NA
Heating at -30 °C (-22 °F)	Heating Capacity	Btu/h	NA

## Efficiency:

SEER	23.30
SEER2	22.50
HSPF	11.60
HSPF2	9.20
EER -BTU/W	13.00
COP -BTU/W	10.75

## Outdoor Operating Temperature Range:

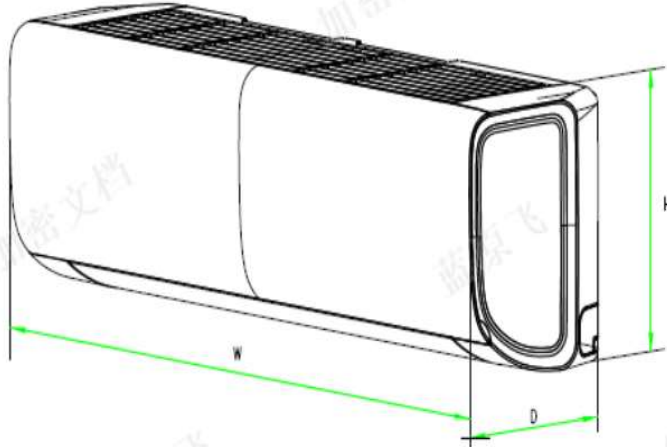
Working Temperature Range - Cooling	(°C/°F)	-15°C-46°C; (5°F-115°F)
Working Temperature Range - Heating	(°C/°F)	-20°C-24°C; (-4°F-75°F)

## Electrical:

Power Supply	230V~,208V~,60Hz,1P	
Rated Current	Cooling (A)	6.3
	Heating (A)	7.2
Current Range	Cooling (A)	1.5-12
	Heating (A)	1.5-12
Max Fuse Size/Fusable Max.	A	20
Min.Circuit Ampacity	A	15

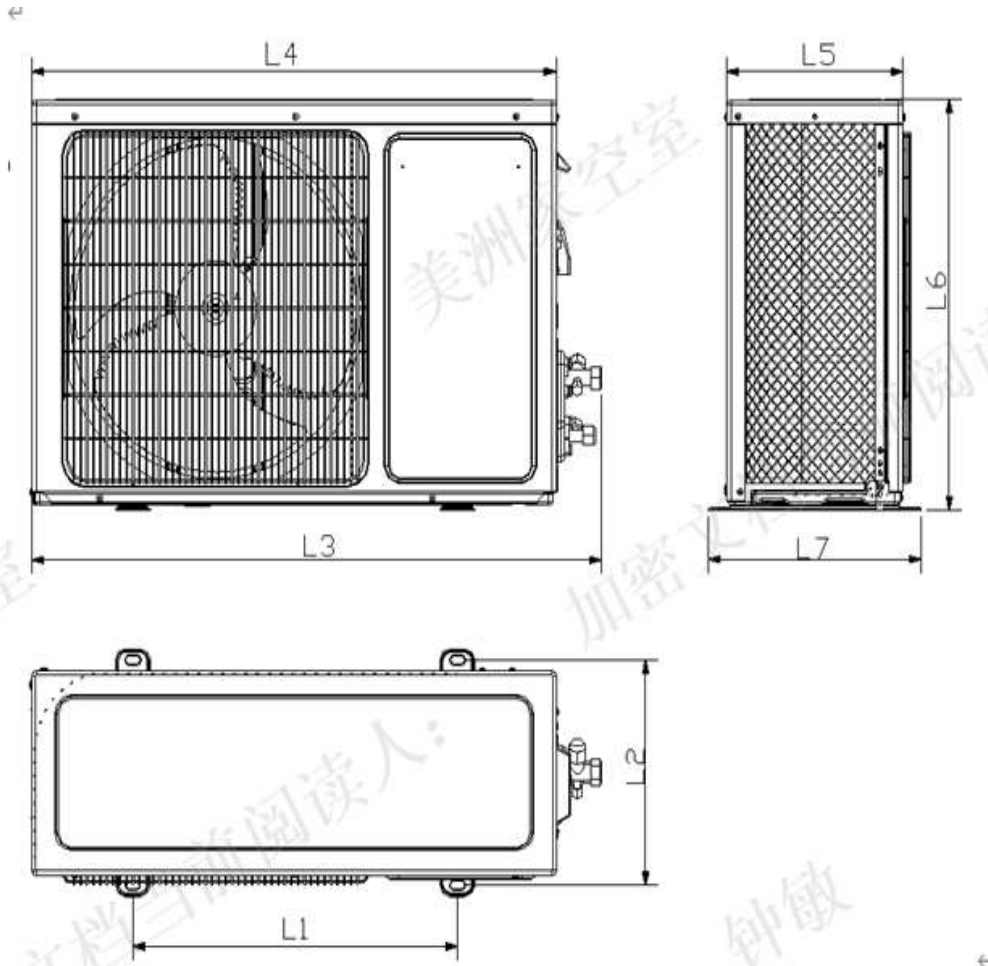
<b>Indoor Unit Specifications:</b>		
Fan Motor Output	W	35
Fan Motor Speed (H/M/L)	RPM	1100/960/800
Moisture Removal	L/H.r	1.5
Air Circulation (Ultra\High\Medium\Low)	m3/h	1100/1000/820/650
Sound Pressure(Higer/H/M/L/silence)	dB (A)	48/45/41/37/34
Net Dimensions WxHxD	mm	1085×315×235
	in.	42 11/16x12 3/8 x9 1/4
Net Weight	kg	14.5
	lbs.	32.0
<b>Outdoor Unit Specifications:</b>		
Fan Motor Output	W	60
Fan Motor Speed (H/M/L)	RPM	840/650/500
Sound pressure	dB (A)	55
Refrigerant charge volume	g	R410A/1550
Net Dimensions WxHxD	mm	860x650x310
	in.	33 7/8x25 9/16x12 3/16
Net Weight	kg	45
	lbs.	99.2
Liquid Pipe	in.	1/4
Gas Pipe	in.	1/2
Maximum Piping Length	m.	20
Maximum Height Difference	m.	10
<b>Model No.</b>	<b>Description:</b>	
RCH-RTY5-0	Remote Controller	
YXE-C01U1	Wired Controller (Optional)	

Indoor Unit Outline and Dimensions:



	W	H	D
mm	1085	315	235
in	42.7	12.4	9.3

Outdoor Unit Outline and Dimensions:



	L1	L2	L3	L4	L5	L6	L7
mm	542	341	935	860	310	650	368
in	21.34	13.43	36.81	33.86	12.20	25.59	14.49