

Hisense Hi-ULTRA 24K 230V



Submittal Data: AST-24UW3SDBDH01 AST-24UW3SDBDH01G
24,000 BTU/H, Wall-Mounted Heat Pump System

Job Name:	Location:		
Purchaser:	Submitted by:		
Submitted to:	Reference:	Approval:	Construction:
Engineer:	Date:	Application:	

- 1\ENERGY STAR certified
- 2\WiFi built-in, Available ConnectLife APP for both iOS and Android to control your room temp. with smartphone
- 3\Anti corrosion heat exchanger for Hesse-WiFi built-in, Available operation
- 4\Universal indoor units with Hi-Multi
- 5\Heating below -20°C (-4°F)
- 6\Chassis Electric heater
- 7\ Easy installation
- 8\ "I feel" in remote controller
- 9\ 2 -Way Drain Connection (Left or Right)
- 10\Washable High Definition Filter
- 11\ Auto Restart
- 12\Indoor Self-Cleaning w/ FrostClean Technology
- 13\Optional Wired Controller



Images provided for reference purposes only

Performance:

Cooling	Cooling Capacity	Btu/h	23,000
	Cooling Capacity Range	Btu/h	8000-26000
	Rated Input-Cooling	W	1880
Heating at 47°F	Heating Capacity	Btu/h	23,000
	Heating Capacity Range	Btu/h	8000-26000
	Rated Input-Heating	W	2,500
Heating at -8.3 °C (17°F AHRI)	Heating Capacity	Btu/h	14,500
Heating at -15 °C (5 °F)	Heating Capacity	Btu/h	16,100
Heating at -20 °C (-5 °F)	Heating Capacity	Btu/h	15,000
Heating at -25 °C (-13 °F)	Heating Capacity	Btu/h	NA
Heating at -30 °C (-22 °F)	Heating Capacity	Btu/h	NA

Efficiency:

SEER	21.00
SEER2	20.50
HSPF	10.50
HSPF2	9.00
EER -BTU/W	12.20
COP -BTU/W	12.20

Outdoor Operating Temperature Range:

Working Temperature Range - Cooling	(°C/°F)	-15°C-46°C; (5°F-115°F)
Working Temperature Range - Heating	(°C/°F)	-20°C-24°C; (-4°F-75°F)

Electrical:

Power Supply	230V~,208V~,60Hz,1P	
Rated Current	Cooling (A)	8.3
	Heating (A)	11
Current Range	Cooling (A)	1.8-13
	Heating (A)	1.8-13
Max Fuse Size/Fusable Max.	A	30
Min.Circuit Ampacity	A	20



Submittal Data: AST-24UW3SDBDH01 AST-24UW3SDBDH01G
24,000 BTU/H, Wall-Mounted Heat Pump System

Indoor Unit Specifications:

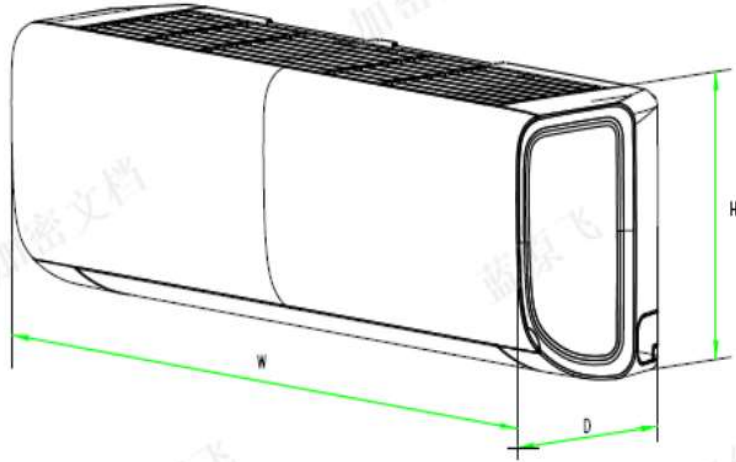
Fan Motor Output	W	35
Fan Motor Speed (H/M/L)	RPM	1200/1040/880
Moisture Removal	L/H.r	2.4
Air Circulation (Ultra\High\Medium\Low)	m3/h	1200/1100/950/750
Sound Pressure(Higer/H/M/L/silence)	dB (A)	50/47/42/36/33
Net Dimensions WxHxD	mm	1085×315×235
	in.	42 11/16x12 3/8 x9 1/4
Net Weight	kg	14.5
	lbs.	32.0

Outdoor Unit Specifications:

Fan Motor Output	W	70
Fan Motor Speed (H/M/L)	RPM	780
Sound pressure	dB (A)	58
Refrigerant charge volume	g	R410A/2150
Net Dimensions WxHxD	mm	885×795×366
	in.	34 7/8x31 5/16x14 3/8
Net Weight	kg	61
	lbs.	134.5
Liquid Pipe	in.	3/8
Gas Pipe	in.	5/8
Maximum Piping Length	m.	20
Maximum Height Difference	m.	10

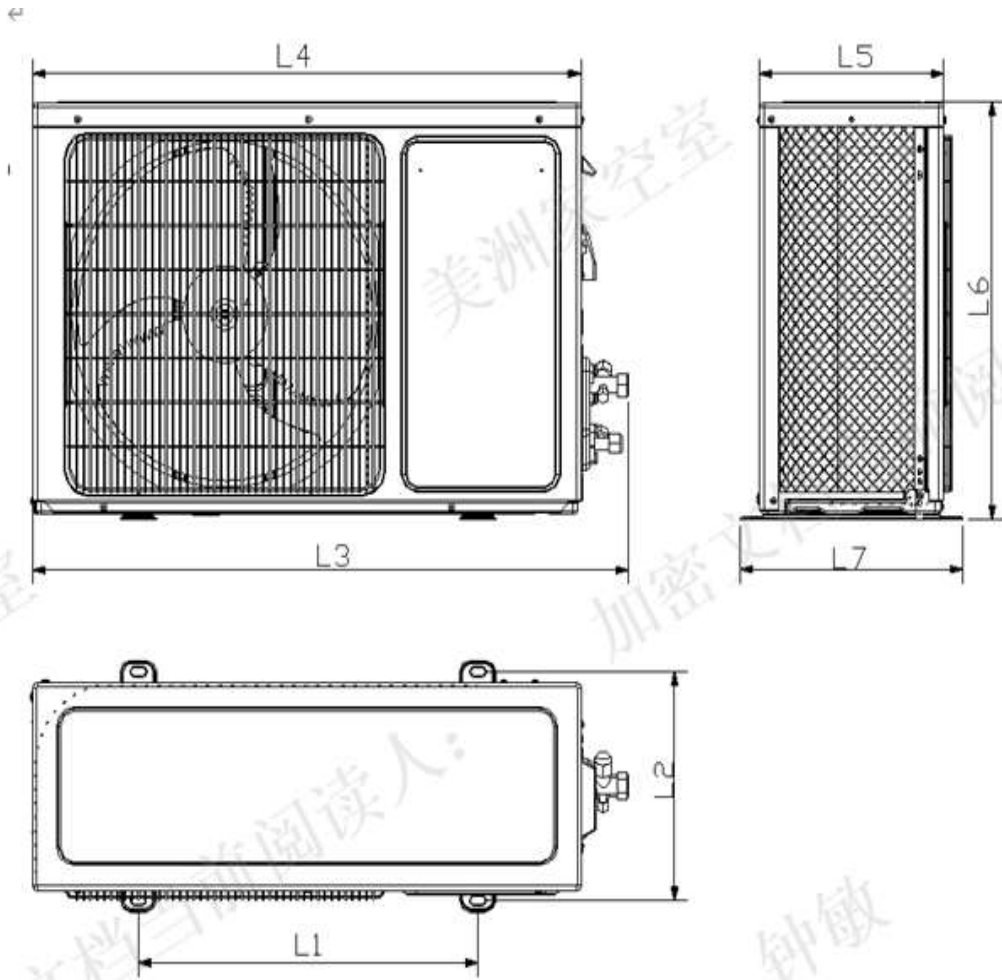
Model No.	Description:
RCH-RTY5-0	Remote Controller
YXE-C01U1	Wired Controller (Optional)

Indoor Unit Outline and Dimensions:



	W	H	D
mm	1085	315	235
in	42.7	12.4	9.3

Outdoor Unit Outline and Dimensions:



	L1	L2	L3	L4	L5	L6	L7
mm	662	390	959	885	366	795	414
in	26.06	15.35	37.76	34.84	14.41	31.30	16.30