

Hisense Hi-ULTRA 9K 230V

Submittal Data: AST-09UW3SVEDH01 AST-09UW3SVEDH01G
9,000 BTU/H, Wall-Mounted Heat Pump System

Job Name:	Location:		
Purchaser:	Submitted by:		
Submitted to:	Reference:	Approval:	Construction:
Engineer:	Date:	Application:	

- 1\ENERGY STAR certified
- 2\WiFi built-in, Available ConnectLife APP for both iOS and Android to control your room temp. with smartphone
- 3\Anti corrosion heat exchanger for Hesse-WiFi built-in, Available operation
- 4\Universal indoor units with Hi-Multi
- 5\Heating below -20°C (-4°F)
- 6\Chassis Electric heater
- 7\ Easy installation
- 8\ "I feel" in remote controller
- 9\ 2 -Way Drain Connection (Left or Right)
- 10\Washable High Definition Filter
- 11\ Auto Restart
- 12\Indoor Self-Cleaning w/ FrostClean Technology
- 13\Optional Wired Controller



Images provided for reference purposes only

Performance:

Cooling	Cooling Capacity	Btu/h	9,000
	Cooling Capacity Range	Btu/h	3600-10000
	Rated Input-Cooling	W	655
Heating at 47°F	Heating Capacity	Btu/h	9,000
	Heating Capacity Range	Btu/h	3600-10500
	Rated Input-Heating	W	720
Heating at -8.3 °C (17°F AHRI)	Heating Capacity	Btu/h	5,000
Heating at -15 °C (5 °F)	Heating Capacity	Btu/h	6,300
Heating at -20 °C (-5 °F)	Heating Capacity	Btu/h	5,800
Heating at -25 °C (-13 °F)	Heating Capacity	Btu/h	NA
Heating at -30 °C (-22 °F)	Heating Capacity	Btu/h	NA

Efficiency:

SEER	22.50
SEER2	22.00
HSPF	10.70
HSPF2	9.00
EER -BTU/W	13.70
COP -BTU/W	12.28

Outdoor Operating Temperature Range:

Working Temperature Range - Cooling	(°C/°F)	-15°C-46°C; (5°F-115°F)
Working Temperature Range - Heating	(°C/°F)	-20°C-24°C; (-4°F-75°F)

Electrical:

Power Supply	230V~,208V~,60Hz,1P	
Rated Current	Cooling (A)	2.9
	Heating (A)	3.2
Current Range	Cooling (A)	1.0-6.5
	Heating (A)	1.0-6.5
Max Fuse Size/Fusable Max.	A	15
Min.Circuit Ampacity	A	10



Submittal Data: AST-09UW3SVEDH01 AST-09UW3SVEDH01G
9,000 BTU/H, Wall-Mounted Heat Pump System

Indoor Unit Specifications:

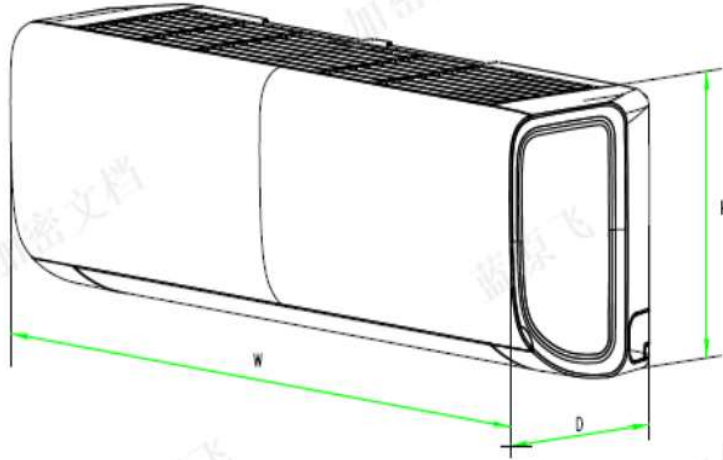
Fan Motor Output	W	25
Fan Motor Speed (H/M/L)	RPM	1100/940/800
Moisture Removal	L/H.r	0.9
Air Circulation (Ultra\High\Medium\Low)	m3/h	650/580/500/420
Sound Pressure(Higer/H/M/L/silence)	dB (A)	42/39/32/29/26
Net Dimensions WxHxD	mm	815×280×220
	in.	32 1/16x11x8 11/16
Net Weight	kg	8.5
	lbs.	18.7

Outdoor Unit Specifications:

Fan Motor Output	W	30
Fan Motor Speed (H/M/L)	RPM	880/650/450
Sound pressure	dB (A)	53
Refrigerant charge volume	g	R410A/950
Net Dimensions WxHxD	mm	715×482×240
	in.	28 1/8x19x9 7/16
Net Weight	kg	27
	lbs.	59.5
Liquid Pipe	in.	1/4
Gas Pipe	in.	3/8
Maximum Piping Length	m.	20
Maximum Height Difference	m.	10

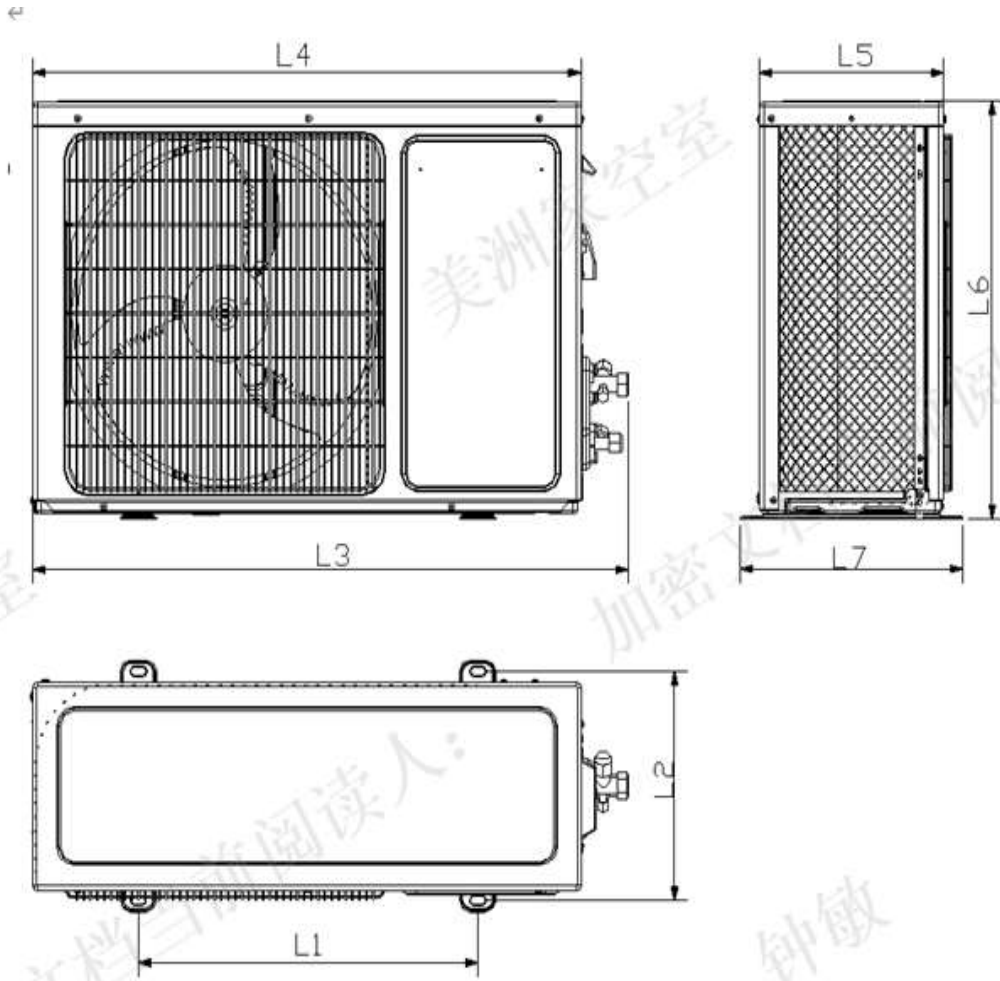
Model No.	Description:
RCH-RTY5-0	Remote Controller
YXE-C01U1	Wired Controller (Optional)

Indoor Unit Outline and Dimensions:



	W	H	D
mm	815	280	220
in	32.1	11.0	8.7

Outdoor Unit Outline and Dimensions:



	L1	L2	L3	L4	L5	L6	L7
mm	443	264	776	715	240	482	290
in	17.4	10.4	30.6	28.1	9.4	19.0	11.4