

**Project:** \_\_\_\_\_  
**Location:** \_\_\_\_\_

**Date:** \_\_\_\_\_  
**Engr.:** \_\_\_\_\_

### KEY FEATURES



- ◎ Optimized tube-in-tube heat exchanger and segmented heat exchanger improves heat pump's subcooling performance in cooling mode
- ◎ Redesigned fan shroud system improves discharge air distance to prevent short cycling of air
- ◎ Sealed electrical compartment prevents possible damage from natural environment
- ◎ One-Touch test run allows for simple system startup and commissioning as well as service and maintenance
- ◎ Anti-ice bottom row heat exchanger protects ice from forming on the bottom of the heat exchanger during heat mode
- ◎ Redesigned top axial fan allows for load flexibility and adaptable to more application scenarios

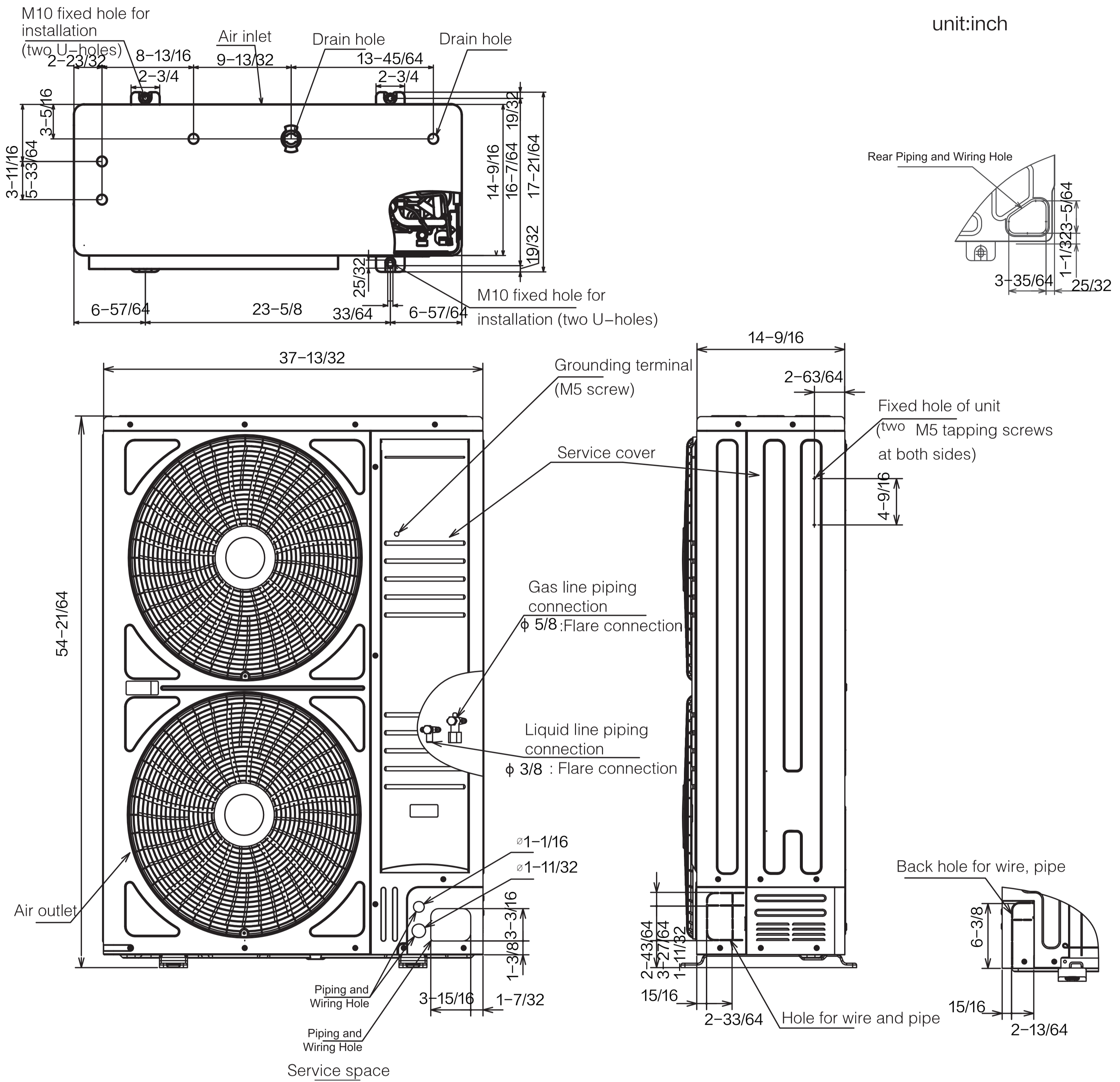
**Hi-Smart H**  
**AVW-36H3FH**



Hi-FLEXI H Series	Model		AVW-36H3FH
	Ton		3
Model Power Supply	Phase Voltage Hz		AC 1-Phase 208/230V 60Hz
Cooling Operation	Nominal Capacity	Btu/h	36,000
	Power Consumption	kW	2.86/2.54
	EER (Ducted/Non-ducted)	(Btu/h)/W	12.60/14.20
	SEER (Ducted/Non-ducted)	(Btu/h)/W	17.00/20.00
Heating Operation	Nominal Capacity	Btu/h	42,000
	Power Consumption	kW	3.07/2.73
	COP (Ducted/Non-ducted)	W/W	4.00/4.50
	Heating Capacity (17°F DB)	Btu/h	26,000
	Power Consumption	kW	2.62/2.38
	COP (Ducted/Non-ducted)	W/W	2.90/3.20
	HSPF (Ducted/Non-ducted)	(Btu/h)/W	10.50/11.00
MCA (Minimum Circuit Ampacity)	A		31.4
MOP (Minimum Overcurrent Protection)	A		40
Air Flow Rate	CFM (m3/h)		3,176 (5,396)
Out Dimension	inch		54-11/32 x 37-13/32 x 14-9/16
Net Weight	lbs.(kg)		229(104)
Compressor Quantity			1
Compressor Type			Rotary
Refrigerant Type			R410A
Refrigerant Charge Amount	lbs.(kg)		8.4 (3.8)
Refrigerant Flow Control			Micro-computer Control Expansion Valve
Condenser Fan Quantity			2
Cabinet Color			Ivory White
Refrigerant Piping	Gas Line	inch	5/8
	Liquid Line	inch	3/8
Maximum Number of Connectable IDU			9
Maximum Actual Pipe Length	Ft.		246
Height Difference	Maximum Below Unit	Ft.	98
	Maximum Above Unit	Ft.	98
	Between IDUs	Ft.	33
Noise level	Cooling/Heating	dB(A)	50/52
Operation Range	Cooling	°F DB	23°F~114°F
	Heating	°F WB	-4°F~60°F

Note: For connection with " \* " please contact with our technical engineer.

### Dimension



Hisense HVAC North America  
 7310 McGinnis Ferry Road, Suwanee, GA 30024  
<https://www.hisensehvac.com/>