

Project:

Date:

Location:

Engr.:

KEY FEATURES



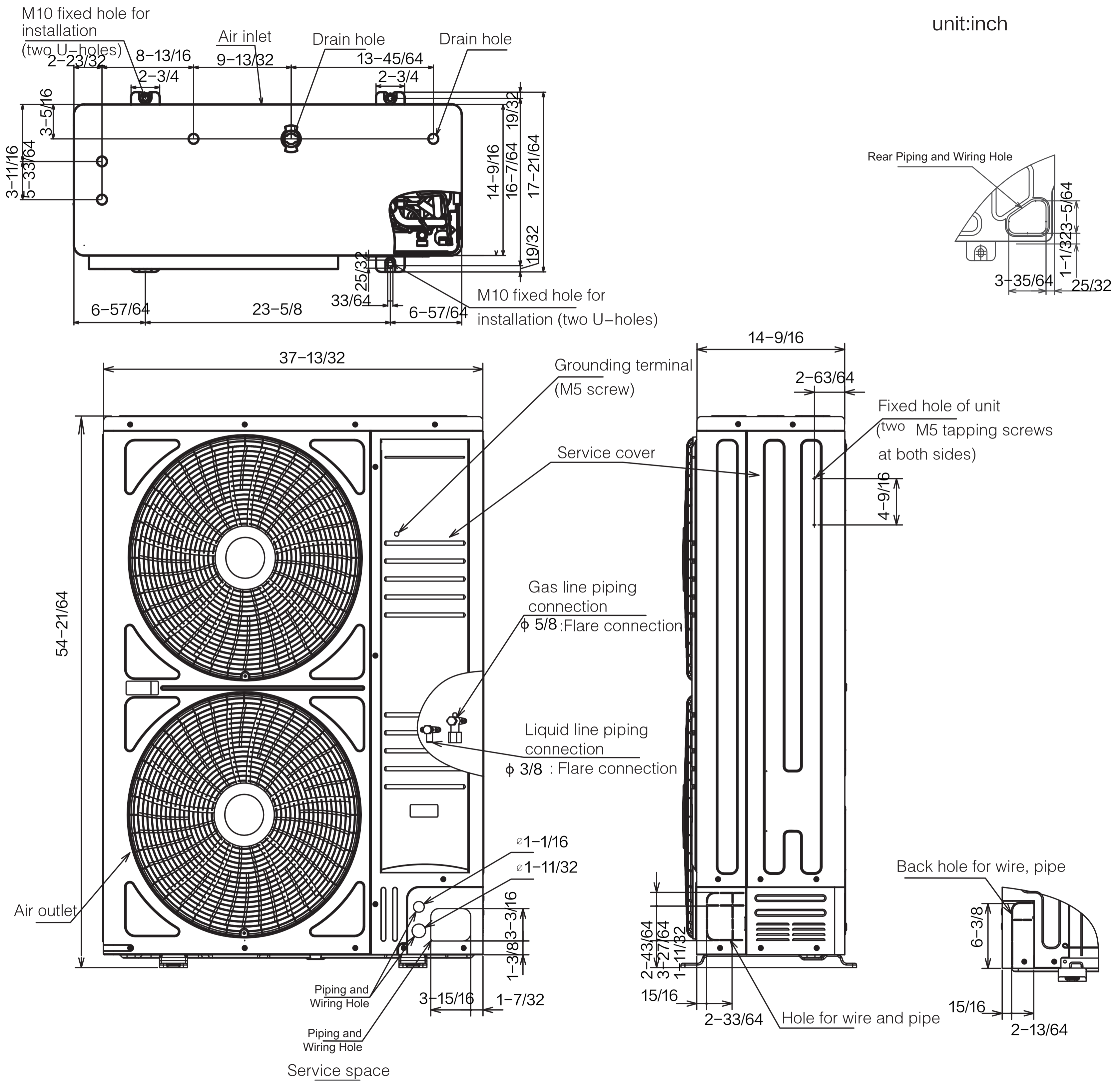
Hi-Smart H 
AVW-48H3FH

- ◎ Optimized tube-in-tube heat exchanger and segmented heat exchanger improves heat pump's subcooling performance in cooling mode
- ◎ Redesigned fan shroud system improves discharge air distance to prevent short cycling of air
- ◎ Sealed electrical compartment prevents possible damage from natural environment
- ◎ One-Touch test run allows for simple system startup and commissioning as well as service and maintenance
- ◎ Anti-ice bottom row heat exchanger protects ice from forming on the bottom of the heat exchanger during heat mode
- ◎ Redesigned top axial fan allows for load flexibility and adaptable to more application scenarios

Hi-FLEXI H Series	Model		AVW-48H3FH
	Ton		
Model Power Supply	Phase Voltage Hz		AC 1-Phase 208/230V 60Hz
Cooling Operation	Nominal Capacity	Btu/h	48,000
	Power Consumption	kW	4.71/3.81
	EER (Ducted/Non-ducted)	(Btu/h)/W	10.20/12.60
	SEER (Ducted/Non-ducted)	(Btu/h)/W	17.00/19.00
Heating Operation	Nominal Capacity	Btu/h	54,000
	Power Consumption	kW	4.65/3.85
	COP (Ducted/Non-ducted)	W/W	3.40/4.10
	Heating Capacity (17°F DB)	Btu/h	32,000
	Power Consumption	kW	3.92/3.48
	COP (Ducted/Non-ducted)	W/W	2.40/2.70
	HSPF (Ducted/Non-ducted)	(Btu/h)/W	9.50/10.50
MCA (Minimum Circuit Ampacity)	A		32.8
MOP (Minimum Overcurrent Protection)	A		45
Air Flow Rate	CFM (m3/h)		3,176 (5,396)
Out Dimension	inch		54-11/32 x 37-13/32 x 14-9/16
Net Weight	lbs.(kg)		229(104)
Compressor Quantity			1
Compressor Type			Rotary
Refrigerant Type			R410A
Refrigerant Charge Amount	lbs.(kg)		8.4 (3.8)
Refrigerant Flow Control			Micro-computer Control Expansion Valve
Condenser Fan Quantity			2
Cabinet Color			Ivory White
Refrigerant Piping	Gas Line	inch	5/8
	Liquid Line	inch	3/8
Maximum Number of Connectable IDU			11
Maximum Actual Pipe Length	Ft.		246
Height Difference	Maximum Below Unit	Ft.	98
	Maximum Above Unit	Ft.	98
	Between IDUs	Ft.	33
Noise level	Cooling/Heating	dB(A)	50/52
Operation Range	Cooling	°F DB	23°F~114°F
	Heating	°F WB	-4°F~60°F

Note: For connection with " * " please contact with our technical engineer.

Dimension



Hisense HVAC North America
 7310 McGinnis Ferry Road, Suwanee, GA 30024
<https://www.hisensehvac.com/>